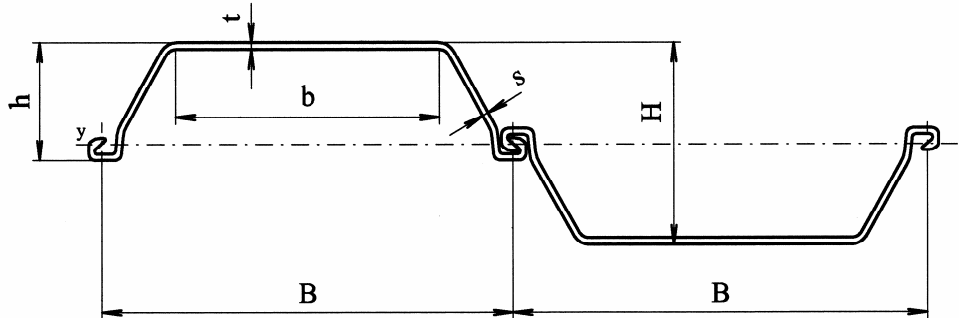


PierreSteelTrade B.V.  
 Buitenhaven 27  
 2965 AD Nieuwpoort  
 The Netherlands

Tel. 0031 (0) 184 609 346  
 Fax 0031 (0) 184 609 347  
 Mob. 0031 (0) 653 372 021  
[info@pierresteeltrade.nl](mailto:info@pierresteeltrade.nl)  
[www.pierresteeltrade.nl](http://www.pierresteeltrade.nl)



## SHEET PILES



Section	Width	Wall Height	Back thickness	Web Thickness	Back Width	Weight		Section modulus	Moment of inertia	Statical Moment	Coating Area
	B	H	t	s	b	Section	Wall				
	mm	Mm	mm	mm	mm	G		W <sub>y</sub>	I <sub>y</sub>	S <sub>y</sub>	S <sup>1)</sup>
VL 601	600	310	7,5	6,4	253	46,3	77,2	742	11496	429	2,49
VL 602L	600	310	8,0	7,2	251	51,3	85,4	800	12404	465	2,48
VL 602	600	310	8,2	8,0	250	54,3	90,5	845	13075	495	2,49
VL 603A	600	310	9,2	8,0	384	61,5	102,5	1121	17381	623	2,71
VL 603	600	310	9,7	8,4	384	64,8	108,0	1180	18251	654	2,65
VL 603K	600	310	10,0	9,0	380	68,1	113,5	1220	18900	680	2,65
VL 603Z	600	310	10,0	10,0	378	71,8	119,7	1265	19584	705	2,65
VL 604	600	380	10,5	9,0	382	74,1	123,5	1620	30726	911	2,85
VL 605A	600	410	11,0	9,0	350	76,9	128,1	1808	37065	1024	2,88
VL 605	600	410	12,8	9,0	367	82,4	137,3	2006	41127	1128	2,95
VL 605K	600	410	12,2	10,0	348	84,5	140,9	2000	41008	1135	2,89
VL 606A	600	420	14,0	9,0	347	86,2	143,7	2200	46217	1238	2,90
VL 606	600	420	16,5	9,2	348	94,8	158,0	2506	52631	1403	2,90
M32	500	430	21,0			104,6	209,2	3206	69415		

1) Area of sheet piles wall without inside of interlocks

**Technical delivery conditions:** EN 10 248-1

**Tolerances:** EN 10 248-2

**Steel grades :** S 240 GP, S 270GP, S 355 GP according to EN 10 248-1

**Delivered lengths:** 6 - 21 m, shorter upon the agreement

**Packing:** free sections or crane bundles up to 5000 kg

**Form:** - single

- paired in piles. Piles are two sheet piles joined together by locking into each other and fastening against shifting. Pile type - S

**Punching of sheet piles:** On basis of an order sheet piles are punched with holes having diameter 40 mm. Standard distance between the holes axis and the sheet piles end is 300 mm or, alternatively 75 mm. Two-sided punching can be ordered, too

Al onze offertes, verkopen en overeenkomsten geschieden op basis van onze algemene betaling- en leveringsvoorwaarden, welke zijn gedeponereerd bij de Kamer van Koophandel in Rotterdam. All our quotations, sales and agreements are according to our general terms and conditions registered by the Chamber of Commerce in Rotterdam.